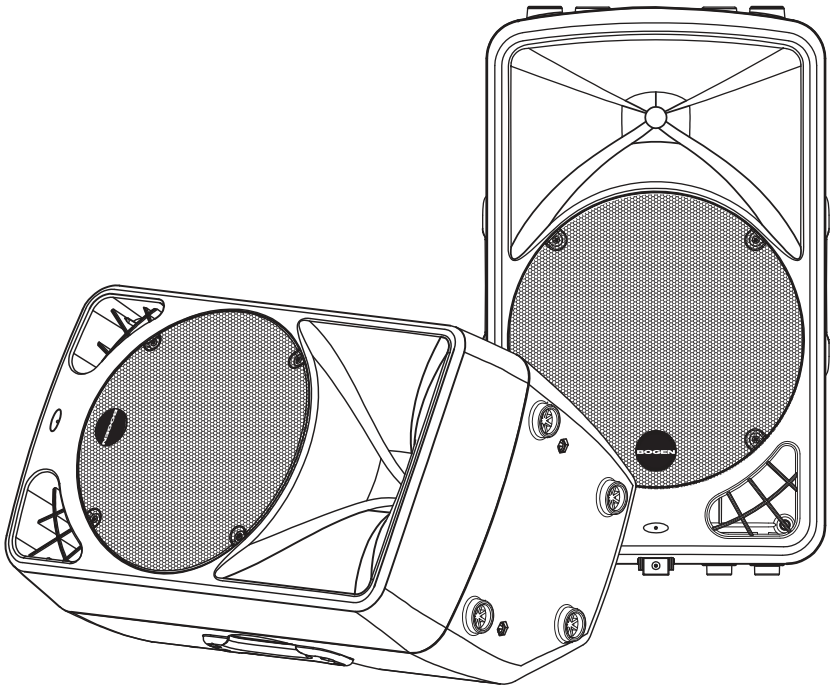


BOGEN®



Bogen Pro

BP15DSP & BP12DSP

Powered Loudspeakers

Installation and Use Manual

NOTICE: Every effort was made to ensure that the information in this guide was complete and accurate at the time of printing. However, information is subject to change.

WARNING: To reduce the risk of Fire or Electric Shock, **Do Not Expose** this apparatus to rain or moisture. Apparatus shall not be exposed to dripping or splashing and no objects filled with liquids, such as vases shall be placed on the apparatus.

WARNING: Only connect unit to AC mains outlet providing protective earthing connection.

NOTE: Mains plug or an appliance coupler are used as disconnect devices from the main and shall remain readily accessible and operable.

CAUTION: These servicing instructions are for use by qualified service personnel only. To reduce the risk of electric shock, do not perform any servicing other than that contained in the operating instructions unless you are qualified to do so.

Always follow these basic safety precautions when installing and using the unit:

IMPORTANT SAFETY INSTRUCTIONS

1. Read these instructions.
2. Keep these instructions.
3. Heed all warnings.
4. Follow all instructions.
5. Do not use this apparatus near water.
6. Clean unit with dry cloth.
7. Do not block any ventilation openings. Install in accordance with the manufacturer's instructions.
8. Do not install near any heat sources such as radiators, heat registers, stoves, or other apparatus (including amplifiers) that produce heat.
9. Do not defeat the safety purpose of the polarized or grounding-type plug. A polarized plug has two blades with one wider than the other. A grounding-type plug has two blades and a third grounding prong. The wide blade, or the third prong, are provided for your safety. If the provided plug does not fit into your outlet, consult an electrician for replacement of the obsolete outlet.
10. Protect the power cord from being walked on or pinched particularly at plugs, convenience receptacles, and the point where they exit from the apparatus.
11. Only use attachments/accessories specified by the manufacturer.
12. Unplug this apparatus during lightning storms or when not used for long periods of time.
13. Refer all servicing to qualified service personnel. Servicing is required when the apparatus has been damaged in any way, such as power-supply cord or plug is damaged, liquid has been spilled or objects have fallen into the apparatus, the apparatus has been exposed to rain or moisture, does not operate normally, or has been dropped.

CAUTION

RISK OF ELECTRIC SHOCK DO NOT OPEN

CAUTION: TO PREVENT THE RISK OF ELECTRIC SHOCK, DO NOT REMOVE ANY FRONT/BACK COVERS OR PANELS. NO USER-SERVICEABLE PARTS INSIDE. REFER SERVICING TO QUALIFIED PERSONNEL.



The lightning flash with arrowhead symbol, within an equilateral triangle, is intended to alert the user to the presence of uninsulated "dangerous voltage" within the product's enclosure that may be of sufficient magnitude to constitute a risk of electric shock to persons.



The exclamation point within an equilateral triangle is intended to alert the user to the presence of important operating and maintenance (servicing) instructions.

CAUTION

DANGER OF EXPLOSION IF TRANSMITTER BATTERY IS INCORRECTLY REPLACED. REPLACE ONLY WITH SAME OR EQUIVALENT TYPE

WARNING

BATTERY SHALL NOT BE EXPOSED TO EXCESSIVE HEAT SUCH AS SUNSHINE, FIRE, OR THE LIKE.

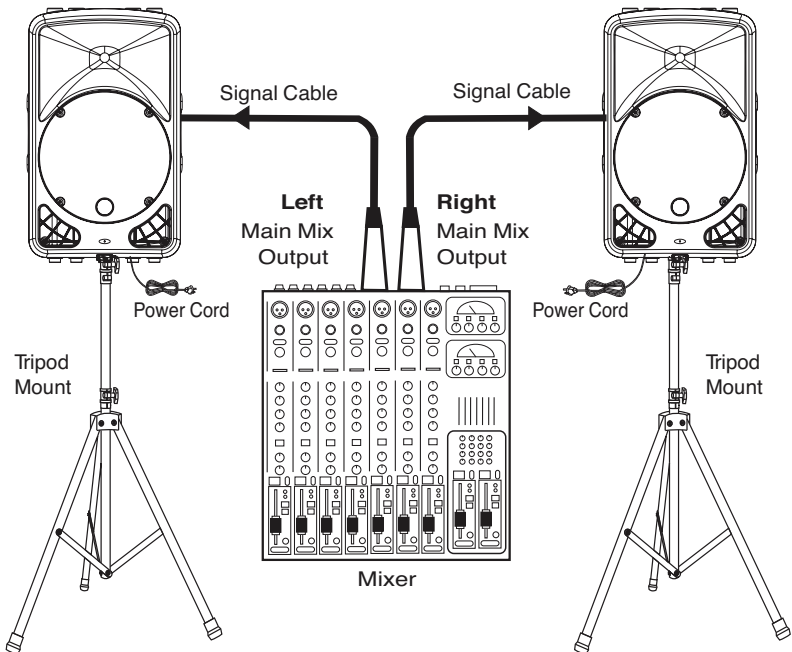
Introduction

Your **Bogen Pro BP15DSP/BP12DSP Powered Loudspeaker** is capable of high sound pressure levels and has been designed to give you performance that is better than any loudspeaker in this range, thanks to the quality of its transducers and built-in amplifier. Enjoy your new Bogen Pro Powered Loudspeaker. Please be sure to read and follow instructions within this manual carefully before you begin operation.

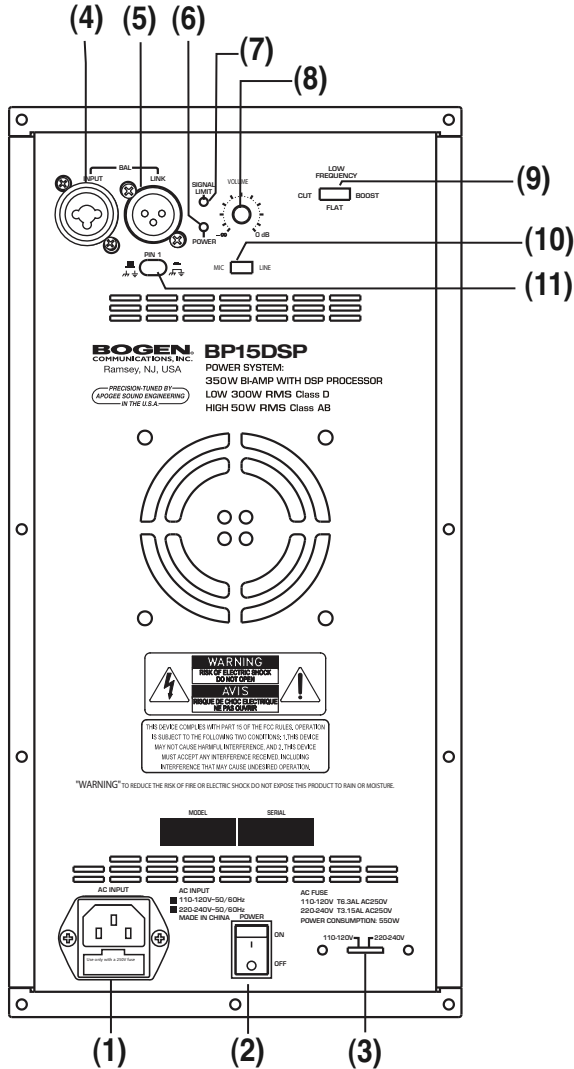
Quick Start

Make all initial connections with all equipment powered off, and ensure that all the main volume controls are turned down completely.

1. Connect one end of the signal cable at your audio mixer's main output. Then connect the other end of the signal cable into the LINE input of your powered speaker cabinet. Repeat for second speaker.
2. Connect the power cord(s) to AC Mains.
3. Turn on your mixer first, then the powered speaker cabinet(s).
4. Set switch to "LINE" position and turn up the volume control of the powered speaker cabinet(s).
5. Use mixer's level controls to manipulate the output level accordingly.
6. After using, turn off your powered speaker cabinets first, then the mixer.



Panel Description



- (1) IEC SOCKET WITH MAINS FUSE
- (2) MAINS POWER SWITCH
- (3) AC MAINS SELECTOR
- (4) LINE/MIC INPUT ON COMBO (XLR F/1/4") CONNECTOR
- (5) LINK OUT ON XLRM CONNECTOR
- (6) POWER INDICATOR LED
- (7) SIGNAL/CLIP INDICATOR LED

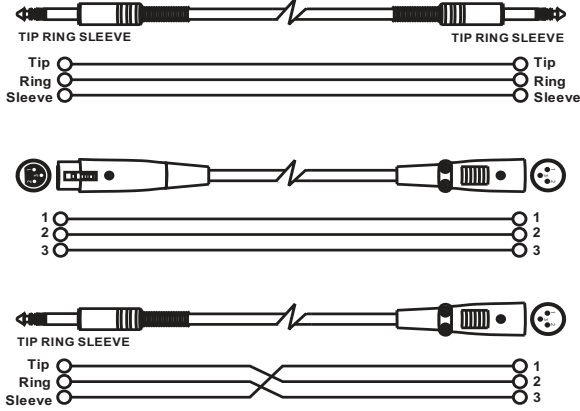
- (8) MAIN VOLUME CONTROL
- (9) LOW-FREQUENCY SELECTOR SWITCH:
CUT: HI-PASS FILTER
FLAT: NO EFFECT
BOOST: LOW-FREQUENCY SHELF
- (10) "INPUT SENSITIVITY" SWITCH FOR LINE OR MIC
- (11) PIN 1 GROUND LIFT SWITCH

Wire Connections

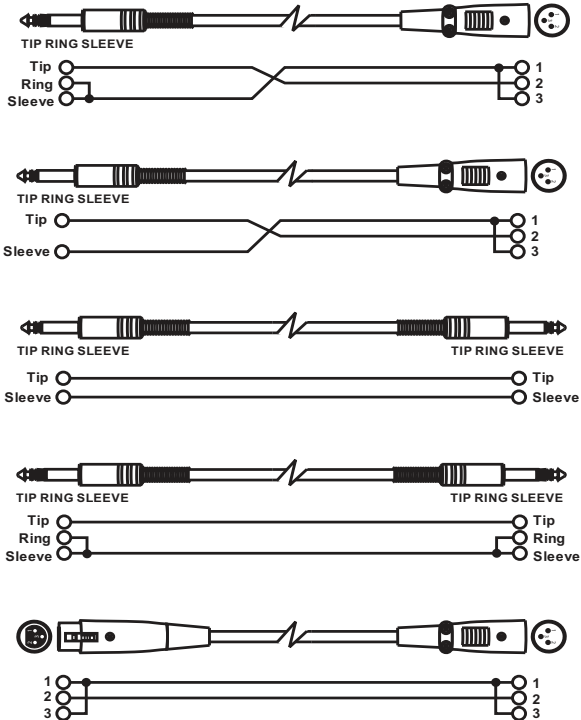
For Powered Speaker Cabinets

Audio connections are mostly intended for the signal flow. Determine the wire configuration needed for your real application. Typical options are:

BALANCED

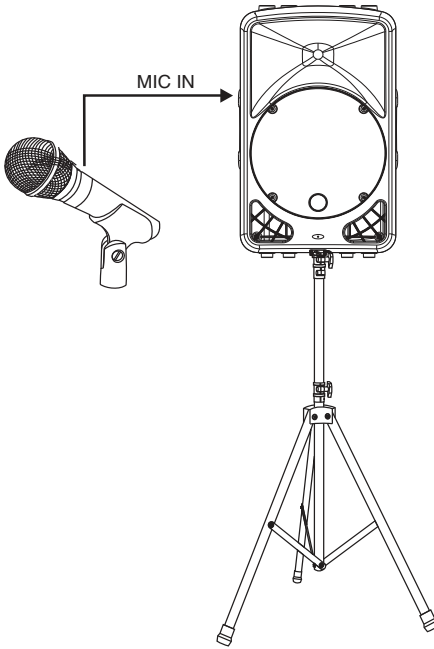


UNBALANCED

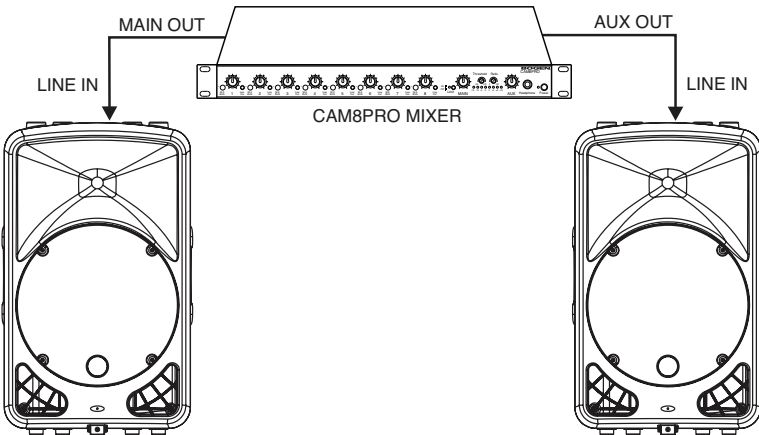


Hook-Up Diagrams

Single Speaker with Direct Microphone Input Sensitivity = "MIC"; Low Frequency = "CUT"

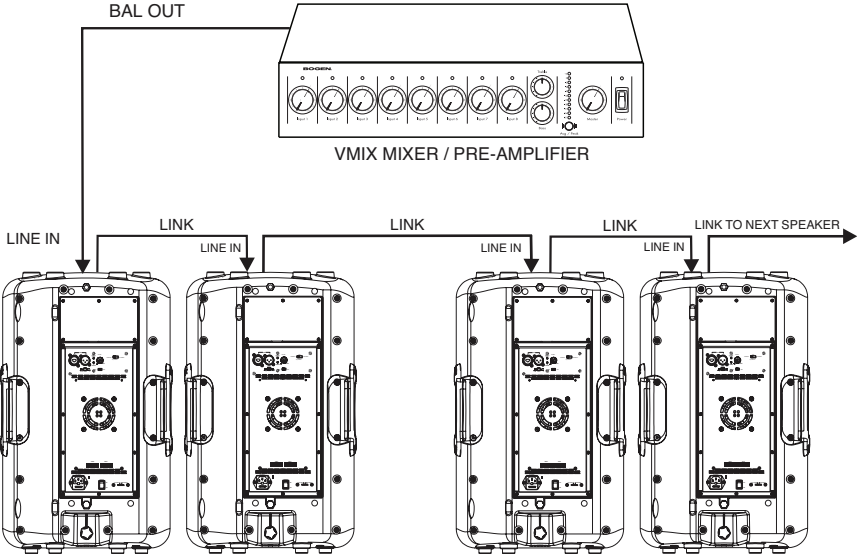


Two Speakers in Stereo Operation Input Sensitivity = "LINE"



Hook-Up Diagrams

Multiple Speakers with the same Source Input Sensitivity = "LINE"

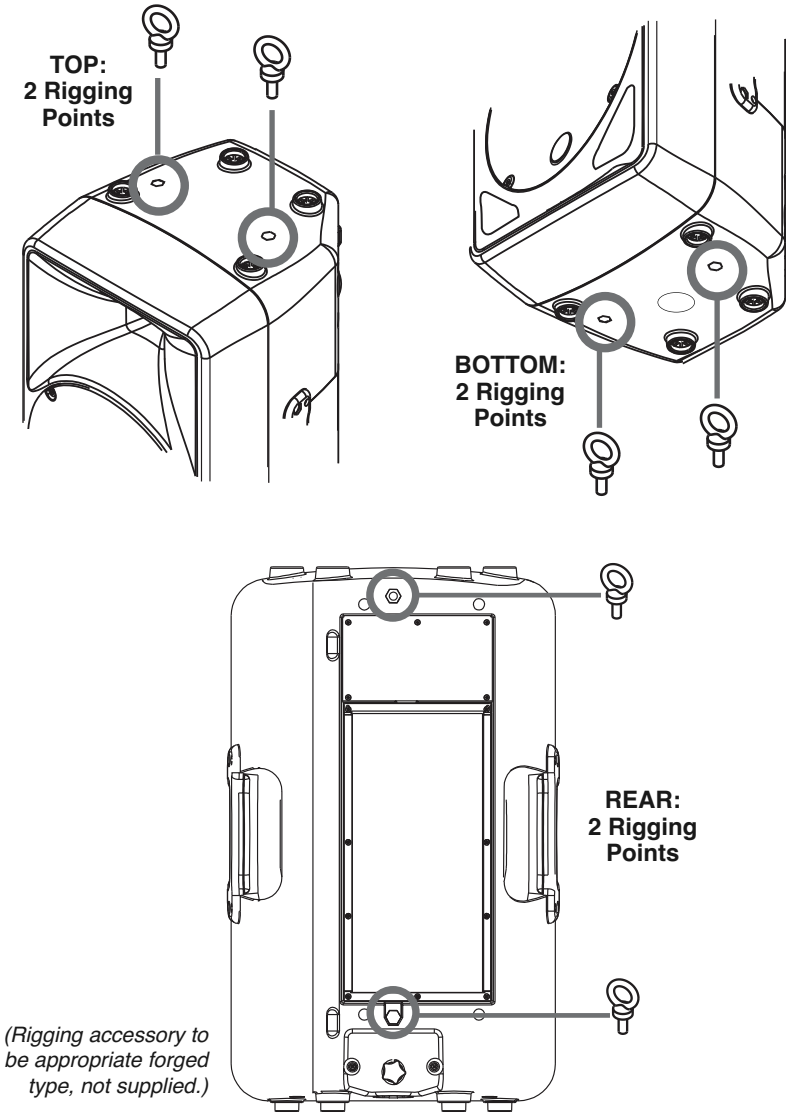


Multi-Use Cabinet

The BP15DSP/BP12DSP Loudspeaker cabinet provides suspension points for flown installation (M10 x 1.5PH, LENGTH:30mm).

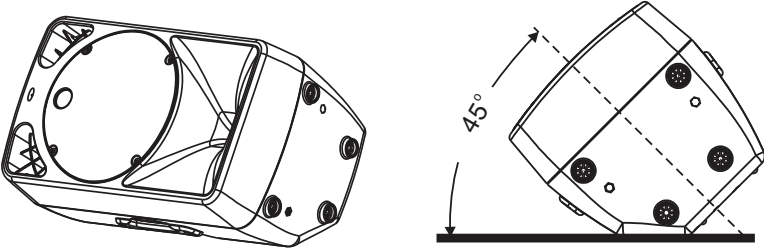
For further details, please refer to the illustration below.

6 Suspension Points for Rigging with Forged Eyebolts



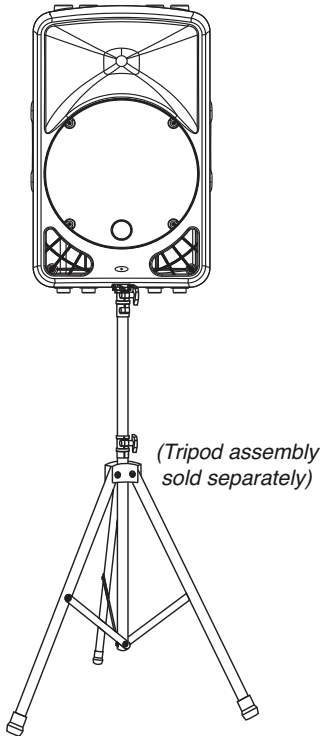
Multi-Use Cabinet

BP15DSP/BP12DSP provides 45° angle when used on floor as a stage monitor.



NOTE: When used as a stage monitor (or with a subwoofer), Low-Frequency switch should be set to “CUT”.

BP15DSP/BP12DSP provides a Tripod Mount located in bottom of the speaker for raised use on tripods.



NOTE: When used on a tripod (to compensate for “Free-Field”), Low-Frequency switch should be set to “BOOST”.

Technical Specifications

BP15DSP Loudspeaker

System Type	2-Way Powered Speaker
Transducer Low	15" Neodymium Woofer, 2.5" Voice Coil
Transducer High	1" Compression Driver, 1.75" Voice Coil
Horn Coverage (H° x V°)	90° H x 45° V
Frequency Response	45 Hz to 20 kHz with FLAT
Crossover Frequency	2.2 kHz-DSP Processor 12 dB/oct
Max. SPL (1m)	124 dB Maximum
Power System	Bi-Amp (Low: Class D 300W High; Class AB 50W), RMS 350W
Connector	LINE/MIC Input with Combo on (XLR/ 1/4") Connector
External Controls	Volume Control, LINE/MIC Switch, Low Frequency Switch, Power, Pin 1 Lift Switch
LED	Power (Green), Signal/Clip (Green/Red)
Low Frequency Presets	CUT - FLAT - BOOST
Electronic Protections	Thermal / Overload / Digital Limiter / Compressor
Power Supply	110-120V~50/60 Hz or 220-240V~50/60 Hz Switchable (550W)
Enclosure Construction	Plastic Cabinet, Trapezoidal & Monitor Shape, Metal Grille, Rubber Feet, 2 Handles (both sides)
Mounting	36mm standard pole-mount, M10 6PCS Flying Points
Dimensions (H x W x D)	26-1/8" x 15-1/2" x 15-7/8" (664mm x 396mm x 402mm)
Net Weight	40.5 lbs. (18.4kg)

BP12DSP Loudspeaker

System Type	2-Way Powered Speaker
Transducer Low	12" Neodymium Woofer, 2.5" Voice Call
Transducer High	1" Compression Driver, 1.75" Voice Call
Horn Coverage (H° x V°)	90° H x 45° V
Frequency Response	50 Hz to 20 kHz with FLAT
Crossover Frequency	2.4 kHz-DSP Processor 12 dB/oct
Max. SPL (1m)	123 dB Maximum
Power System	Bi-Amp (Low: Class D 300W High; Class AB 50W), RMS 350W
Connector	LINE/MIC Input with Combo on (XLR/ 1/4") Connector
External Controls	Volume Control, LINE/MIC Switch, Low Frequency Switch, Power, Pin 1 Lift Switch
LED	Power (Green), Signal/Clip (Green/Red)
Low Frequency Presets	CUT - FLAT - BOOST
Electronic Protections	Thermal / Overload / Digital Limiter / Compressor
Power Supply	110-120V~50/60 Hz or 220-240V~50/60 Hz Switchable (550W)
Enclosure Construction	Plastic Cabinet, Trapezoidal & Monitor Shape, Metal Grille, Rubber Feet, 2 Handles (both sides)
Mounting	36mm standard pole-mount, M10 6PCS Flying Points
Dimensions (H x W x D)	26-1/8" x 15-1/2" x 14-1/4" (664mm x 396mm x 362mm)
Net Weight	38.5 lbs. (17.5kg)

Limited Warranty; Exclusion of Certain Damages

The **Bogen Pro BP15DSP & BP12DSP Powered Loudspeakers** are warranted to be free from defects in material or workmanship for two (2) years from the date of sale to the original purchaser. Any part of the product covered by this warranty that, with normal installation and use, becomes defective will be repaired or replaced by Bogen, at our option, provided the product is shipped insured and prepaid to: Bogen Factory Service Department, 50 Spring Street, Ramsey, NJ 07446, USA. The product will be returned to you freight prepaid. This warranty does not extend to any of our products that have been subjected to abuse, misuse, improper storage, neglect, accident, improper installation or have been modified or repaired or altered in any manner whatsoever, or where the serial number or date code has been removed or defaced.

THE FOREGOING LIMITED WARRANTY IS BOGEN'S SOLE AND EXCLUSIVE WARRANTY AND THE PURCHASER'S SOLE AND EXCLUSIVE REMEDY. BOGEN MAKES NO OTHER WARRANTIES OF ANY KIND, EITHER EXPRESS OR IMPLIED, AND ALL IMPLIED WARRANTIES OF MERCHANTABILITY OR FITNESS FOR A PARTICULAR PURPOSE ARE HEREBY DISCLAIMED AND EXCLUDED TO THE MAXIMUM EXTENT ALLOWABLE BY LAW. Bogen's liability arising out of the manufacture, sale or supplying of products or their use or disposition, whether based upon warranty, contract, tort or otherwise, shall be limited to the price of the product. **IN NO EVENT SHALL BOGEN BE LIABLE FOR SPECIAL, INCIDENTAL OR CONSEQUENTIAL DAMAGES (INCLUDING, BUT NOT LIMITED TO, LOSS OF PROFITS, LOSS OF DATA OR LOSS OF USE DAMAGES) ARISING OUT OF THE MANUFACTURE, SALE OR SUPPLYING OF PRODUCTS, EVEN IF BOGEN HAS BEEN ADVISED OF THE POSSIBILITY OF SUCH DAMAGES OR LOSSES.** Some States do not allow the exclusion or limitation of incidental or consequential damages, so the above limitation or exclusion may not apply to you. This warranty gives you specific legal rights, and you may also have other rights which vary from State to State.

Products that are out of warranty will also be repaired by the Bogen Factory Service Department — same address as above or call 201-934-8500. The parts and labor involved in these repairs are warranted for 90 days when repaired by the Bogen Factory Service Department. All shipping charges in addition to parts and labor charges will be at the owner's expense. All returns require a Return Authorization number.

7/22/2008

BOGEN[®]
COMMUNICATIONS, INC.

50 Spring Street, Ramsey, NJ 07446 USA

Tel. 201-934-8500 • Fax: 201-934-9832

www.bogen.com