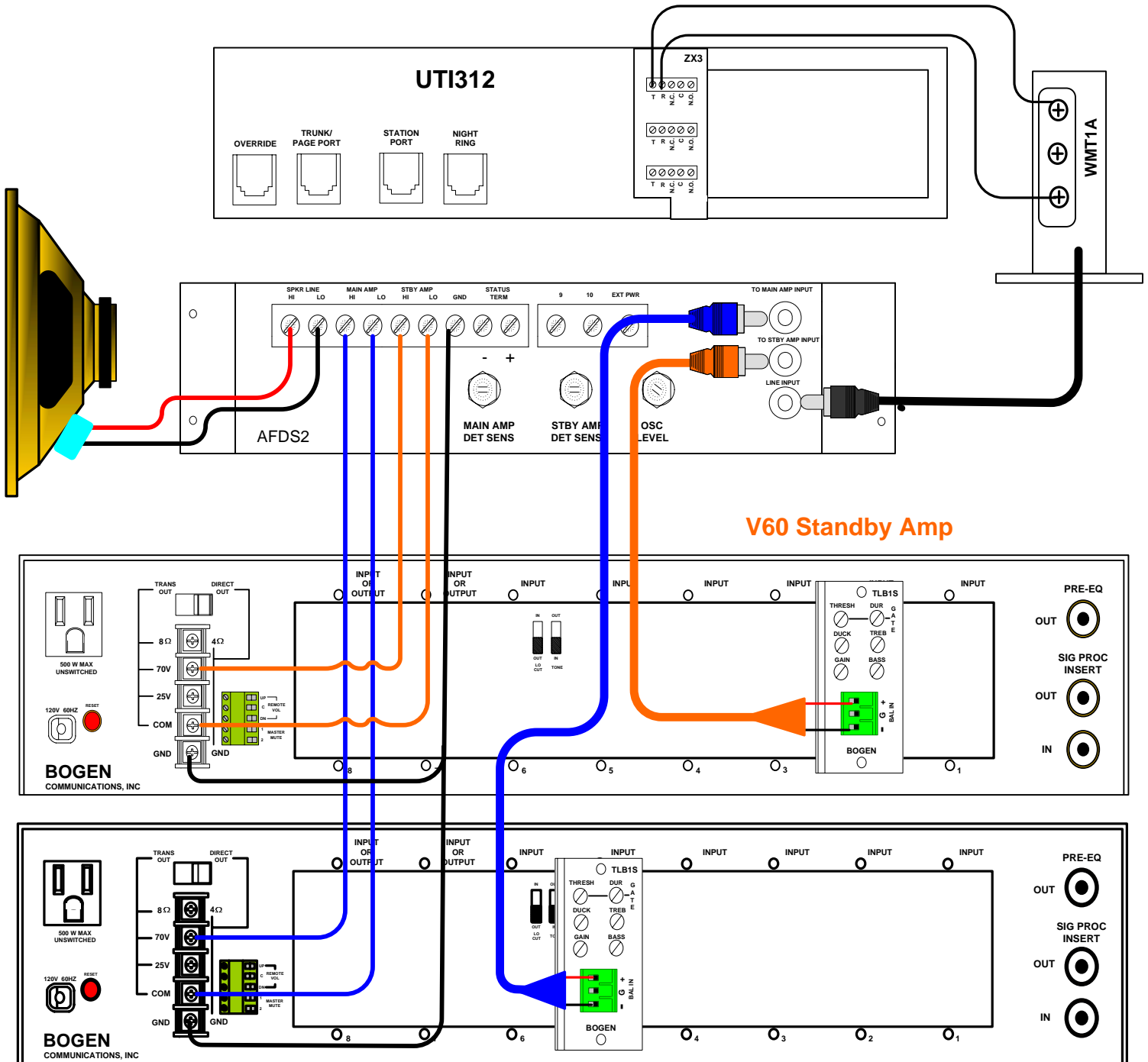


UTI312 - AFDS2 – V60 Amplifiers



Note: Remove Link between Com and Gnd

V60 Main Amp

This will have to be repeated in each zone