



DST1

Digital Stereo Tuner

User's Manual

BOGEN[®]
COMMUNICATIONS, INC.

© 2009 Bogen Communications, Inc.
Specifications subject to change without notice.
54-2188-01B 0910

Notice

Every effort was made to ensure that the information in this guide was complete and accurate at the time of printing. However, information is subject to change.

Important Safety Information

WARNING: To Reduce The Risk of Fire Or Electric Shock, Do Not Expose This Apparatus To Rain Or Moisture.

Always follow these basic safety precautions when installing and using the unit:

1. Read these instructions.
2. Keep these instructions.
3. Heed all warnings.
4. Follow all instructions.
5. Do not use this apparatus near water.
6. Clean only with dry cloth.
7. DO NOT block any ventilation openings. Install in accordance with the manufacturer's instructions.
8. Do not install near any heat sources such as radiators, heat registers, stoves, or other apparatus (including amplifiers) that produce heat.
9. Do not defeat the safety purpose of the polarized or grounding-type plug. A polarized plug has two blades with one wider than the other. A grounding-type plug has two blades and a third grounding prong. The wide blade, or the third prong, are provided for your safety. If the provided plug does not fit into your outlet, consult an electrician for replacement of the obsolete outlet.
10. Protect the power cord from being walked on or pinched, particularly at plugs, convenience receptacles, and the point where they exit from the apparatus.
11. Only use attachments/accessories specified by the manufacturer.
12. Unplug this apparatus during lightning storms or when unused for long periods of time.
13. Refer all servicing to qualified service personnel. Servicing is required when the apparatus has been damaged in any way, such as power-supply cord or plug is damaged, liquid has been spilled or objects have fallen into the apparatus, the apparatus has been exposed to rain or moisture, does not operate normally, or has been dropped.

IMPORTANT

CAUTION

**RISK OF ELECTRIC SHOCK
DO NOT OPEN**

CAUTION: TO PREVENT RISK OF ELECTRIC SHOCK, DO NOT REMOVE COVER (OR BACK). NO USER-SERVICEABLE PARTS INSIDE. REFER SERVICING TO QUALIFIED PERSONNEL.



The lightning flash with arrowhead symbol, within an equilateral triangle, is intended to alert the user to the presence of uninsulated “dangerous voltage” within the product’s enclosure that may be of sufficient magnitude to constitute a risk of electric shock to persons.



The exclamation point within an equilateral triangle is intended to alert the user to the presence of important operating and maintenance (servicing) instructions in the literature accompanying the appliance.

FCC Statement (Part 15) - Radio Frequency Interference

The DST1 Digital Stereo Tuner generates and uses radio frequency energy and if not installed and used in strict accordance with the manufacturer's instructions, may cause interference to radio and television reception. Testing is being conducted for compliance with the limits for a Class B device in accordance with the specifications in Part 15 of the FCC Rules and Canadian D.O.C. regulations. This testing is designed to provide reasonable protection against such interference. However, there is no guarantee that interference will not occur in a particular installation. If this equipment does cause interference to radio or television reception, which can be determined by turning the DST1 unit off and on, the user is encouraged to try to correct the interference by one or more of the following measures:

- Reorient the radio or TV receiving antenna.
- Relocate the DST1 unit with respect to the radio or TV receiver or vice-versa.
- Plug the DST1 unit into a different outlet so that it and the radio or TV receiver are on different branch circuits.

If necessary, the user should consult the dealer or an experienced radio/television technician for additional suggestions. The user may find the following flyer, "Interference: Defining the Source," helpful. This flyer was prepared by the Federal Communications Commission (FCC) and is available from their Consumer and Governmental Affairs Bureau website at www.fcc.gov/cgb.

Before You Begin

Your Bogen DST1 Digital Stereo Tuner incorporates the latest in PLL digital circuitry for reliable performance for years to come. To get the maximum benefit from your Bogen product, please read all instructional materials provided with the unit.

Package Contents

- (1) DST1 Digital Stereo Tuner
- (1) Remote Control
- (1) Set, Rack Ears
- (1) AM Radio Antenna (Loop)
- (1) FM Radio Antenna (Dipole)
- (1) Stereo Patch Cable (RCA)
- (1) User's Manual

Unpacking

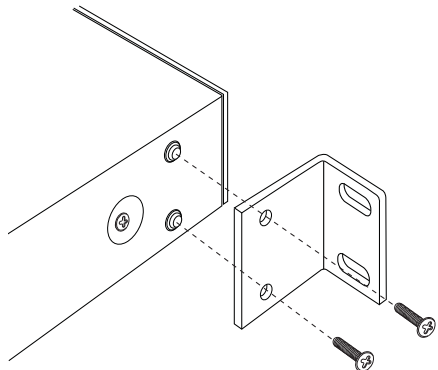
The DST1 is carefully checked before leaving the factory. Inspect the shipping carton and unit for damage caused by improper handling. If damage is found you must file a claim with the transportation company that delivered the product.

Installing Rack Ears

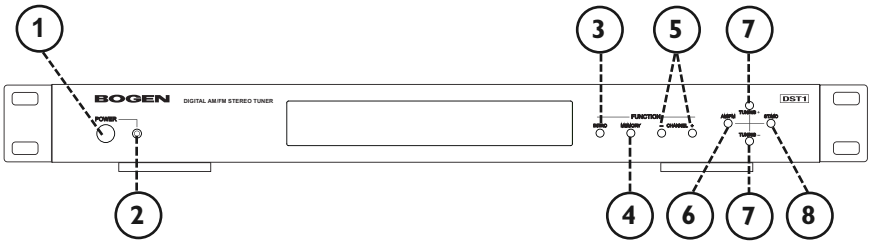
A pair of rack ears are included that allow the user to mount the DST1 in a standard 19" audio/electronics rack. To install the rack ears, refer to the diagram and follow these steps:

1. Remove two screws from the side panel of the DST1 toward the front.
2. Place one rack ear in proper position, paying attention to correct alignment.
3. Reattach two screws.
4. Repeat procedure for second rack ear, located on the other side of the unit.

Important: Before installing the DST1 in a rack, the four attached feet must be unscrewed and removed from the bottom of the unit.

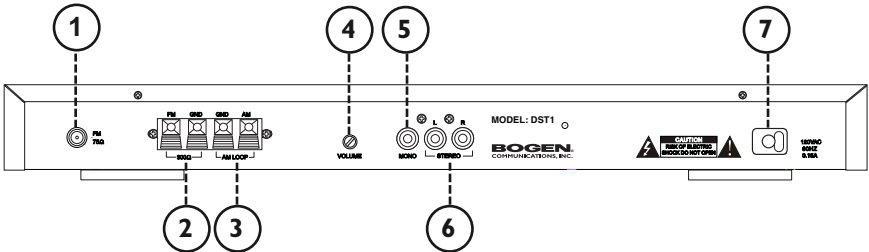


Front Panel Controls



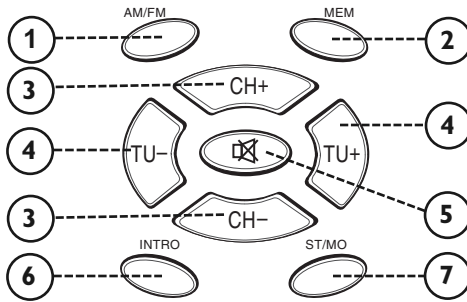
1. **POWER:** Turns power to the unit ON or OFF.
2. **Power LED:** Lights to indicate that unit is powered ON.
3. **INTRO:** Scans preset stations.
4. **MEMORY:** Activates memory to save station preset.
5. **CHANNEL +/- :** Manually scrolls through programmed presets.
6. **AM/FM:** Switches between AM and FM operation.
7. **TUNING:** Tunes station frequency down (-) or up (+).
8. **STEREO/MONO:** Selects STEREO or MONO operation for selected FM station.

Rear Panel Controls and Connectors



1. **75-Ohm:** FM Antenna input.
2. **300-Ohm:** FM Antenna input.
3. **AM LOOP:** AM Antenna input.
4. **VOLUME:** Attenuates output volume.
5. **MONO:** Audio connection for mono applications.
6. **STEREO R/L:** Audio connections for stereo applications.
7. **AC Line:** Connects to 120V, 60 Hz AC mains.

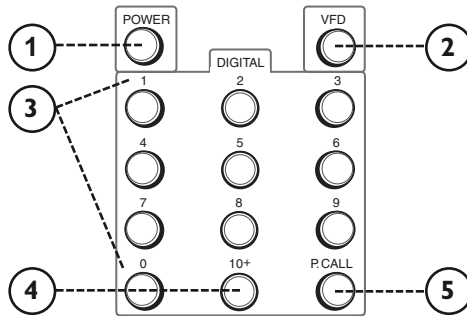
Remote Control



All of the front panel control functions can also be adjusted by the remote control.

1. **AM/FM:** Switches between AM and FM operation.
2. **MEM:** Activates MEMORY to save station preset.
3. **CH +/CH - :** Manually scrolls through stations from available presets.
4. **TU -/TU + :** Tunes station frequency down (-) or up (+).
5. **MUTE:** Mutes audio output (not available on front panel).
6. **INTRO:** Scans preset stations.
7. **ST/MO:** Selects STEREO or MONO operation for selected FM station.

Additional buttons function as follows:



1. **POWER:** Turns power to the unit ON or OFF.
2. **VFD:** Selects different bar graph displays.
3. **1 – 0:** Manually enter digits for desired preset.
4. **10+:** Selects range in multiples of ten, for preset stations greater than “10”.
5. **P.CALL:** Allows entry of actual station numbers. Select a band (either AM or FM), then press the **P.CALL** button. Next, enter the station number.

Antenna Connection

FM Dipole Antenna

The indoor dipole antenna provided should be adequate for normal FM reception.

1. Connect the antenna leads to the two terminals marked **300 Ohms (FM and GND)**.
2. Position the antenna for the best reception. Tack it to a wall or baseboard if possible.

For reception when the DST1 is installed in a rack, an external antenna installed in accordance with National Electric Codes may be required.

FM Coaxial cable connector

For applications using coaxial cable, an FM **75-Ohm** coaxial cable connector is provided.

AM Loop Antenna

The DST1 is provided with an external AM antenna for AM reception.

1. Carefully pull the antenna lead from the holding notch in the antenna and unwind the lead from the loop.
2. Connect the antenna leads to the terminals marked **AM LOOP (AM and GND)**.
3. Snap the antenna into the base to form a free-standing unit.
4. Position the antenna for best reception. If desired, the antenna may be permanently mounted using screws through the two holes in the base.

Audio Connections

An audio patch cable is provided to make audio connections.

1. Connect the two RCA plugs from one end of the cable to the **R** and **L STEREO** terminals on the DST1. (Note: For mono applications, connect one end of cable to the **MONO** terminal.)
2. Connect the other end of the cable to a line-level input (Hi-Z) of an audio pre-amplifier.

Operation

Power

Press the front panel **POWER** button to turn on the DST1.

Turn the rear-mounted **VOLUME** control counterclockwise to attenuate audio output. Turn fully clockwise for full output.

To Select a Band*

Press the button marked **AM/FM**. The current band selected (either AM or FM) appears on the display.

You can preset up to 60 stations total for both bands. Preset stations may be any combination of AM and FM stations. FM stations may be played in either stereo or mono. Press the **STEREO/MONO** button to change mode.

To Tune a Station*

Pressing the **TUNING +** or **TUNING -** button advances to the next frequency. Pressing and holding the **TUNING +** or **TUNING -** button will activate the auto search feature. The word **AUTO** appears on the display, and the search will continue to the next clear station signal. To stop the auto search at any frequency, press either the **TUNING +** or **TUNING -** button again.

To Preset Stations*

1. Select a band and tune the first desired station.
2. Press the **MEMORY** button and then one of the **CHANNEL +/-** buttons to select the preset number. The two-digit preset number appears on the display. The display flashes twice and then the preset is stored.
3. Repeat the procedure for each desired preset.

To Scan Preset Stations*

1. Press the button marked **INTRO**. Each preset station will play for a few seconds in turn while scanning.
2. To select a station during scanning, press the **INTRO** button again.

To Select Preset Stations Using Remote Control

The number buttons can be used to select a specific preset station. For presets greater than 10, press **10+** for each multiple of 10 (for example, 10, 20, 30, etc.), then select the preset in that multiple.

Example: To select preset 52, press **10+** five times, then press **2**.

Pressing **P.CALL** allows actual station numbers to be entered.

1. Select a band.
2. Press the **P.CALL** button.
3. Enter the Station numbers.

* **Note:** These functions are the same whether accessed from the front panel of the DST1 or from the Remote Control.

Specifications

Band Coverage:	FM: 87.00 to 108.05 MHz AM: 530 to 1710 kHz
Tuning:	PLL Synthesizer
Channel Indicator:	Alphanumeric, fluorescent display
Station Tuning:	Pushbutton
Preset Memory:	60 Total stations (FM and AM)
Memory Scan:	Preset stations
Antenna Connectors:	FM: 75-ohm, coaxial: 300-ohm, push-release AM: Push-release
Output:	Stereo/Mono Out via RCA jacks; 1V minimum
Program Selection:	Pushbutton, via front panel or Remote Control
Output Terminals:	RCA Jacks
Controls:	Power, Intro, Memory, Channel, AM/FM, Tuning, Stereo/Mono, Volume
Accessories Included:	AM Loop and FM Dipole antennas Remote Control (Uses two AAA batteries) Stereo Patch Cable (RCA) Rack Ears (2)
Operating Voltage:	120V AC nominal, 60 Hz, 0.15A max.
Dimensions:	16-7/8" W × 1-3/4" H × 10" D (without feet) 16-7/8" W × 2" H × 10" D (with feet attached)
Weight:	4.75 lb.

Limited Warranty, Exclusion of Certain Damages

The Bogen DST1 Digital Stereo Tuner is warranted to be free from defects in material and workmanship for two (2) years from the date of sale to the original purchaser. Any part of the product covered by this warranty that, with normal installation and use, becomes defective (as confirmed by Bogen upon inspection) during the applicable warranty period, will be repaired or replaced by Bogen, at Bogen's option, provided the product is shipped insured and prepaid to: Bogen Factory Service Department, 50 Spring Street, Ramsey, NJ 07446, USA. Repaired or replacement product will be returned to you freight prepaid. This warranty does not extend to any of our products that have been subjected to abuse, misuse, improper storage, neglect, accident, improper installation or have been modified or repaired or altered in any manner whatsoever, or where the serial number or date code has been removed or defaced.

THE FOREGOING LIMITED WARRANTY IS BOGEN'S SOLE AND EXCLUSIVE WARRANTY AND THE PURCHASER'S SOLE AND EXCLUSIVE REMEDY. BOGEN MAKES NO OTHER WARRANTIES OF ANY KIND, EITHER EXPRESS OR IMPLIED, AND ALL IMPLIED WARRANTIES OF MERCHANTABILITY OR FITNESS FOR A PARTICULAR PURPOSE ARE HEREBY DISCLAIMED AND EXCLUDED TO THE MAXIMUM EXTENT ALLOWABLE BY LAW. Bogen's liability arising out of the manufacture, sale or supplying of products or their use or disposition, whether based upon warranty, contract, tort or otherwise, shall be limited to the price of the product. **IN NO EVENT SHALL BOGEN BE LIABLE FOR SPECIAL, INCIDENTAL OR CONSEQUENTIAL DAMAGES (INCLUDING, BUT NOT LIMITED TO, LOSS OF PROFITS, LOSS OF DATA OR LOSS OF USE DAMAGES) ARISING OUT OF THE MANUFACTURE, SALE OR SUPPLYING OF PRODUCTS, EVEN IF BOGEN HAS BEEN ADVISED OF THE POSSIBILITY OF SUCH DAMAGES OR LOSSES.** Some States do not allow the exclusion or limitation of incidental or consequential damages, so the above limitation or exclusion may not apply to you. This warranty gives you specific legal rights, and you may also have other rights which vary from State to State.

Products that are out of warranty will also be repaired by the Bogen Factory Service Department – same address as above or call 201-934-8500. The parts and labor involved in these repairs are warranted for 90 days when repaired by the Bogen Factory Service Department. All shipping charges in addition to parts and labor charges will be at the owner's expense. All returns require a Return Authorization number. For most efficient warranty or repair service, please include a description of the failure.

12/2008

BOGEN[®]
COMMUNICATIONS, INC.

www.bogen.com