

# Model ASTB4

## A-SERIES SPEAKER TERMINAL BOOT

# N·E·A·R.®

### Description

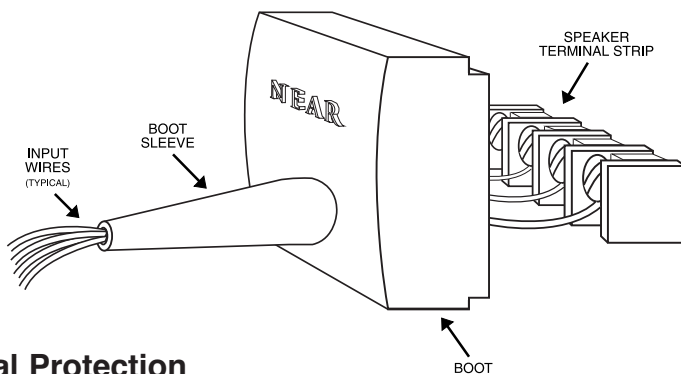
The A-Series Terminal Boot is designed to offer added protection against the effects of weather on wires and connections made to NEAR A-Series speaker model types A2, A6, and A8. The ASTB4 package contains 4 terminal boots.

**Note:** *The ASTB4 will not fit the NEAR A12 model.*

### Installation

1. If necessary, trim the tapering boot sleeve to accommodate the size of the wire bundle to be attached to the speaker (adjust for a snug fit).
2. Slide the narrow end of the boot sleeve over the wires. Crimp any lugs onto the wires after inserting the wires through the boot sleeve.
3. Secure the wires to the terminals and then slide the terminal boot into place over the terminals, pressing it firmly against the terminal strip for a secure fit. The boot only fits properly in one orientation.

**Note:** *The A2 speaker model does not allow enough space between the housing and the bracket for the boot sleeve to pass between them. Therefore, it is important to install the boot while the speaker is in its approximate final tilt position.*



### Additional Protection

The terminal boot does not provide a water tight seal for the terminal strip. It is only designed to minimize the direct effects of weather on the wires and connections.

Silicone-based caulks can be used to improve the seal of the boot to the speaker terminal area. If desired, apply a bead to the base of the boot before pressing it onto the terminal. Silicone sealents with adhesive properties adhere better than pure silicone products. The boot sleeve exit can also be sealed, however, be certain to caulk it so that the caulk can be removed later in case the boot needs to be removed.