

# BC1 Beam Clamp

The beam clamp mounting system is designed to provide an easy and secure way of mounting horn speakers to I-beams.

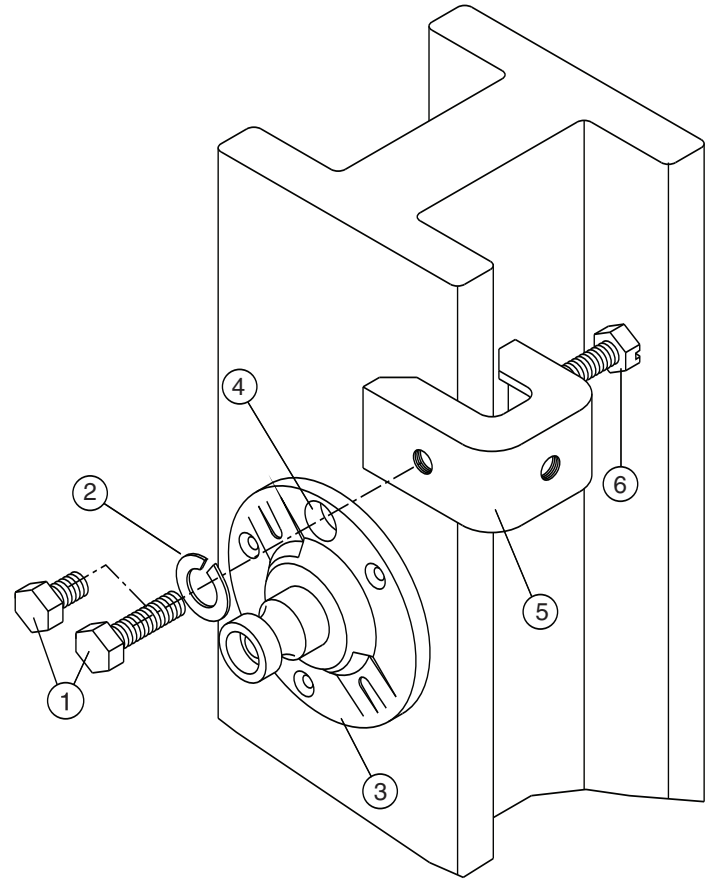
- A) For easier installation, detach the horn base (flange) from the horn (refer to the speaker's instruction manual for directions on detaching the base).
- B) Bolt the base [3] to the beam clamp [5] using the supplied bolt [1] and lock washer [2].

Two bolt lengths are provided. Use the longer bolt for mounting the cast bases of Bogen's 15W and 30W horns. Use the shorter bolt for the stamped bases of the 5W and 7W horns.

A flange hole [4] is provided in the base of later model Bogen horn speakers. For earlier model horns without this hole or non-Bogen horns, drill a 3/8" hole in the base.

**NOTE: It is important to use the correct length bolt or else the clamp or base will not seat properly.**

- C) Fasten the beam clamp assembly to the web of an I-beam and tighten the clamp bolt [6] well to secure the horn's mounting base in place.
- D) Place the horn speaker onto its base and finish the electrical installation and positioning.



**BOGEN**<sup>®</sup>  
COMMUNICATIONS, INC.

50 Spring Street, Ramsey, NJ 07446  
Tel: (201) 934-8500 • Fax: (201) 934-9832

Specifications subject to change without notice.  
© 1999 Bogen Communications Inc. All rights reserved.  
54-9218-01D 0902