



# Call-In/Emergency Switch

# Model CA21B

The Bogen Model CA21B is a momentary, rocker-type call switch designed for use in Bogen Multicom 2000® Communication Systems. When pushed and released once, the switch signals an administrator to establish a call through a two-way speaker. When pushed and released four times, the switch initiates an emergency call at the administrative station. The switch has a privacy feature which prevents monitoring from the administrative station. The privacy function does not interfere with the ability of the administrative station to call the staff station, however, the privacy switch must be released in order to respond to a call.

The CA21B is designed for flush-mounting in a standard single-gang outlet box. Figure 1 illustrates the proper connection. The shield must not be grounded to the building ground at the outlet box or the speaker.

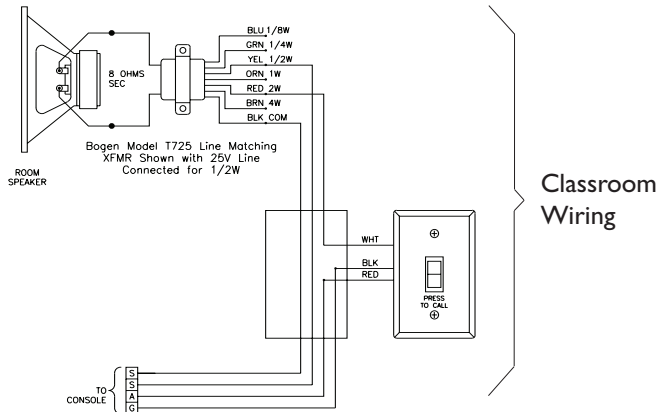


Figure 1 - CA21B Connecting Diagram

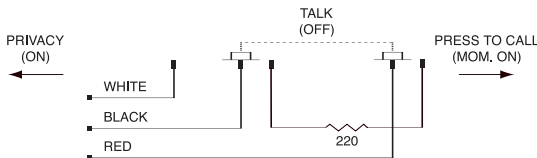


Figure 2 - CA21B Schematic Diagram