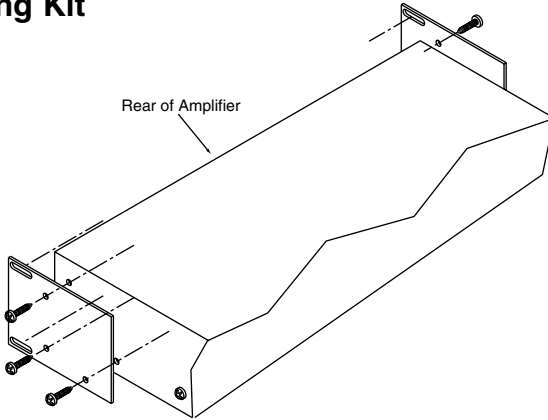


Model: RPK86

M-Class & Black Max Rack Mounting Kit



Installation

For greater rear support when rack mounting an M-Class or Black Max amplifier, the RPK86 Rack Mounting Kit can be attached to the rear of the amplifier by following the steps below.

1. Remove and save the three cover screws from the chassis of the amplifier.
2. Position the rack attachment as shown.
3. Replace and tighten the three cover screws to secure the rack attachments.