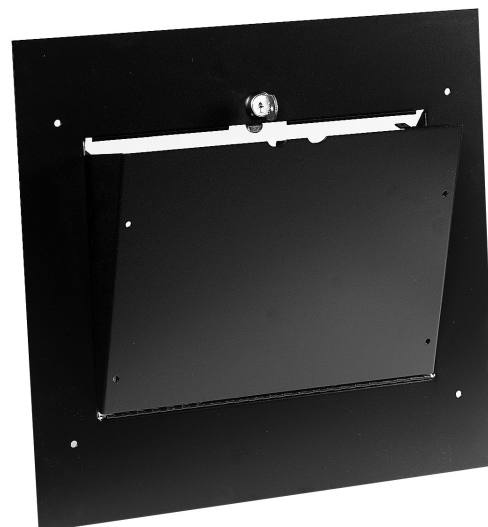




MODEL WMK1 WALL MOUNT CABINET

- Tilt-open door
- Can be locked in closed or open position
- Used with models C10, C20, 10- and 20-watt amplifiers, and CAM2 mixer amplifiers



DESCRIPTION

The **Bogen Model WMK1** is a flush in-wall mounting cabinet designed to accommodate Models C10, C20, and CAM2. The cabinet fits between standard 2 x 4's on 16" center wall studs, with the front panel acting as a plaster ring. Controls are accessible via a tilt-open door that may be locked in either the closed or open position. The cabinet is finished in black and is made from sturdy 16-gauge steel. It is supplied with a backbox which includes an easily mounted AC power receptacle.

DIMENSIONS & WEIGHT

Wall Box	14"W x 13-1/2"H x 3-1/2"D
Face Plate	16"W x 14-1/2"H
Tilt-Open Door	11-5/8"W x 8-3/8"H
Minimum, Opening Required	14-1/8"W x 13-5/8"H
Shipping Weight	13 lbs.

INSTALLATION

ACCESSIBILITY: The backbox must be placed so that the controls are at an appropriate height for operation. Typically, the bottom of the backbox should be three feet above the floor.

MOUNTING: The flush-mounting backbox must be secured to support surfaces inside the wall or, in new construction, must be built into the wall. The WMK1 is shipped with the front panel and door assembly temporarily secured to the backbox. Remove the assembly from the backbox and mount the box with four screws through the slotted holes (see mounting diagram on the

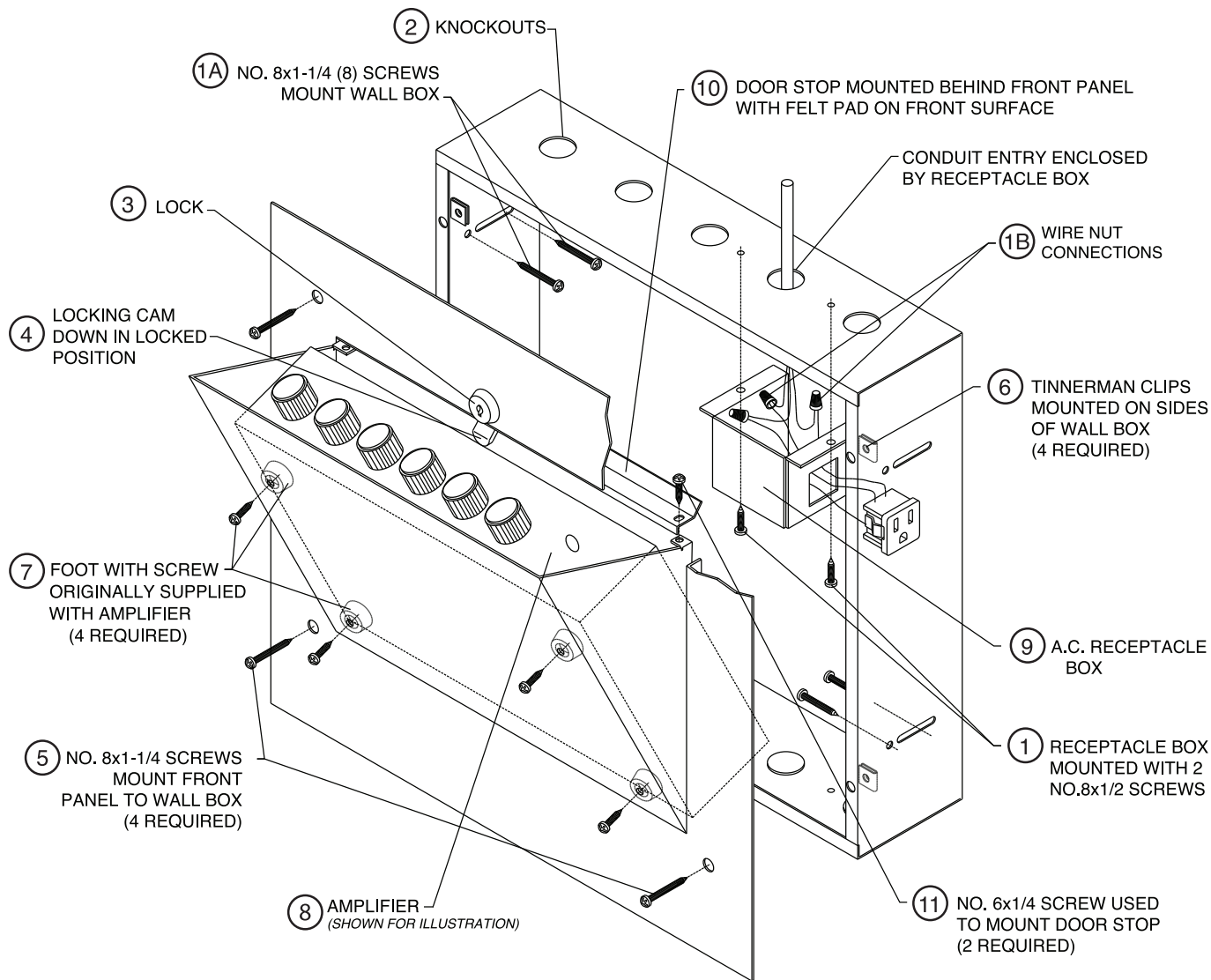
back of this sheet). Use these slotted holes to position the box so that it is flush with the surface of the finished wall. When this is accomplished, add four more screws through the holes just forward of the slotted holes. Securely tighten all eight screws to prevent any further movement of the backbox. The AC receptacle must be located at the top of the backbox. The wall cutout for the backbox should be 14-1/8" wide and 13-5/8" high.

WIRING: The backbox has a 1/2" conduit entry above the receptacle box which must be used for AC line connection. (This is the knockout between two small screw holes.) Where possible, locate the backbox near a suitable #14 AWG, 3-wire single-phase, 120V AC line. Use wire nuts to connect the receptacle. The box must be convenient for connection of microphone input cables and speaker lines. All wires enter the box inside the wall.

CAUTION

Do not locate box or connecting wires near steam lines or other heat sources.

INSTALLATION OF THE AMPLIFIER: The amplifier is secured to the door of the WMK1 by four screws. A separately mounted flange on the door provides a stop for the door and, when removed, allows the amplifier to be dropped down for connections. Audio cables may be brought into the backbox through any knockout other than that used for the AC line.



Refer to the mounting diagram and proceed as follows:

- 1A & 1B. With the wall box mounted, use wire nuts to connect AC wiring. Install the AC receptacle in the top of the box using two #8 x 1/2" sheet metal screws.
2. Bring all input and output wiring into the wall box, including the speaker wires, through knockouts in the backbox.
3. Before installing the front panel on the wall box, install the lock.
4. Make sure that the locking cam is down when in the locked position.
5. Mount the front panel and door assembly to the wall box with #8 x 1-1/4" sheet metal screws.
6. Mount the Tinnerman clips on the sides of the wall box.
7. Remove the feet from the amplifier. Install the amplifier mounting screws in the door, using the feet to hold the screws in place. Mount the amplifier to the front door.
8. Connect speaker and input wiring to the amplifier.
9. Plug the amplifier into the AC receptacle.
10. Raise the door to a level which allows the door stop to be installed.
11. Mount door stop with two #6 by 1/4" sheet metal screws.
12. Assure that the door lock operates correctly.

BOGEN[®]
COMMUNICATIONS, INC.
 50 Spring Street, Ramsey, NJ 07446
 Tel: 201-934-8500 • Fax: 201-934-9832
www.bogen.com