



Model

UHFUDA

PASSIVE UHF UNIDIRECTIONAL ANTENNA

INSTRUCTION MANUAL

The Bogen UHFUDA is a Passive UHF unidirectional antenna that enhances the reception of the desired signal and rejects any unwanted RF signal.

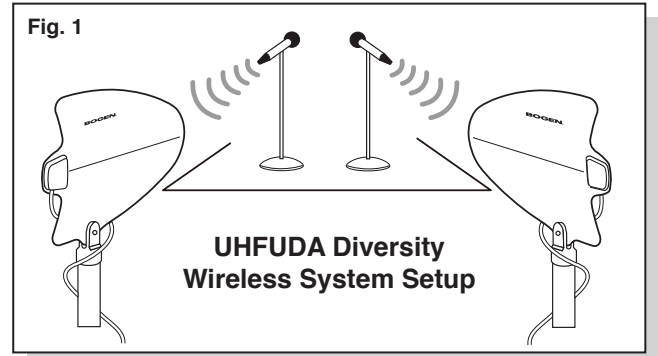
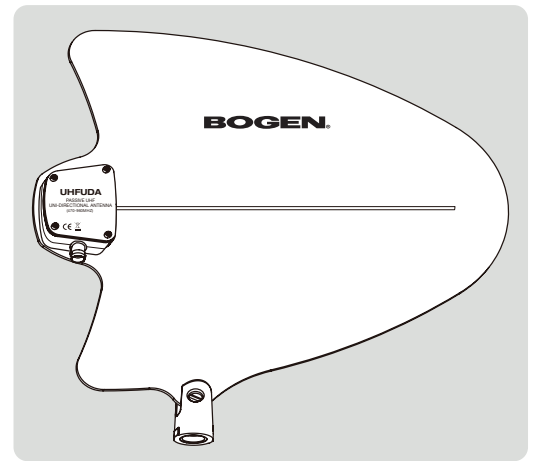
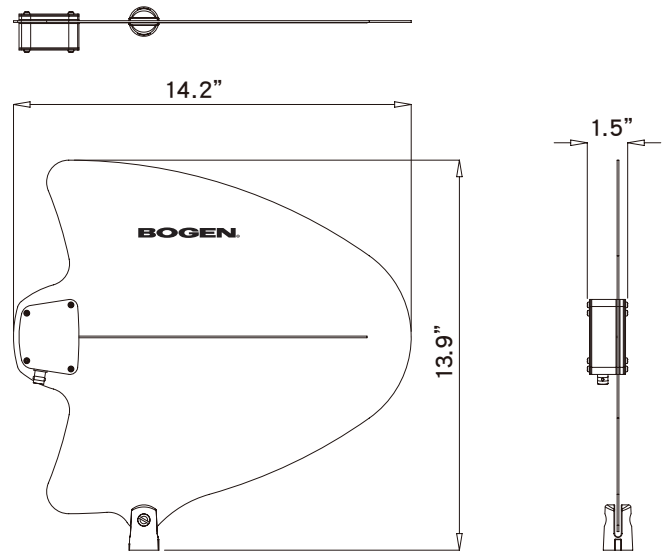
Installation/Use Instructions:

1. Mount the antenna onto a microphone stand or suspend it from a ceiling. Then, connect one end of an antenna cable to the UHFUDA antenna.
2. Connect the other end of the antenna cable to the wireless receiver (UDR8011), to the antenna signal amplifier (UHFASA), or to the antenna distribution system (UHFADS).
3. Aim the UHFUDA antenna at the transmitter location or coverage area.
4. For enhanced performance, Bogen recommends that two (2) UHFUDA antennas be employed with diversity wireless systems (Fig. 1).

Specifications:

- Frequency Band.....470 ~ 960 MHz
- Effective Working Angle..... 100 degrees
- Antenna Gain.....10 dB
- Net Weight.....14 oz. (approx.)

Dimensions: (Inches)



Limited Warranty: Exclusion of Certain Damages

The Bogen **UHFUDA Passive UHF Unidirectional Antenna** is warranted to be free from defects in material and workmanship for one (1) year from the date of sale to the original purchaser. Any part of the product covered by this warranty that, with normal installation and use, becomes defective (as confirmed by Bogen upon inspection) during the applicable warranty period will be repaired or replaced by Bogen, at Bogen's option, provided the product is shipped insured and prepaid to: Bogen Factory Service Department, 4570 Shelby Air Drive, Suite 11, Memphis, TN 38118 USA. Repaired or replacement product(s) will be returned to you freight prepaid. This warranty does not extend to any of our products that have been subjected to abuse misuse, improper storage, neglect, accident, improper installation or have been modified or repaired or altered in any manner whatsoever, or where the serial number or date code has been removed or defaced.

THE FOREGOING LIMITED WARRANTY IS BOGEN'S SOLE AND EXCLUSIVE WARRANTY AND THE PURCHASER'S SOLE AND EXCLUSIVE REMEDY. BOGEN MAKES NO OTHER WARRANTIES OF ANY KIND, EITHER EXPRESS OR IMPLIED, AND ALL IMPLIED WARRANTIES OF MERCHANTABILITY OR FITNESS FOR A PARTICULAR PURPOSE ARE HEREBY DISCLAIMED AND EXCLUDED TO THE MAXIMUM EXTENT ALLOWABLE BY LAW. Bogen's liability arising out of the manufacture, sale or supplying of products or their use or disposition, whether based upon warranty, contract, tort or otherwise, shall be limited to the price of the product. **IN NO EVENT SHALL BOGEN BE LIABLE FOR SPECIAL, INCIDENTAL OR CONSEQUENTIAL DAMAGES (INCLUDING, BUT NOT LIMITED TO, LOSS OF PROFITS, LOSS OF DATA OR LOSS OF USE DAMAGES) ARISING OUT OF THE MANUFACTURE, SALE OR SUPPLYING OF PRODUCTS, EVEN IF BOGEN HAS BEEN ADVISED OF THE POSSIBILITY OF SUCH DAMAGES OR LOSSES.** Some States do not allow the exclusion or limitation of incidental or consequential damages, so the above limitation or exclusion may not apply to you. This warranty gives you specific legal rights, and you may also have other rights which vary from State to State.

Products that are out of warranty will also be repaired by the Bogen Factory Service Department— same address as above or call 201-934-8500. Returned products which do not qualify for warranty service, may be repaired or replaced at Bogen's option with previously repaired or refurbished items. The parts and labor involved in these repairs are warranted for 90 days when repaired by the Bogen Factory Service Department. All parts and labor charges as well as shipping charges will be at the owner's expense.

All returns require a Return Authorization number. For most efficient warranty or repair service, please include a description of the failure.

10/2018