

# Easy Install® Self-Amplified Speaker Model ASM1

CURRENT UNITS

-1



## Description

The Bogen ASM1 Easy Install® Self-Amplified Speaker is a surface-mount speaker, designed to typically install in less than a minute. Installation is a simple, three-step process that does not require tools. First, four specially-designed studs pierce the ceiling tile. Second, two custom-designed wing nuts secure the speaker to the ceiling. Third, standard wire nuts make the 24V DC power and audio connections directly to the color-coded studs. The ASM1 is lightweight, durable, and features a low-profile contemporary design, making it versatile enough to be installed in just about any installation with standard ceiling tiles.

The ASM1 is a 1-watt, self-amplified speaker. There is an exterior volume control for easy balancing that is easily accessible, but doesn't attract tampering.

## Features

- Installs in less than a minute
- Self-contained 1W amplifier
- High intelligibility and sensitivity
- Wide-range frequency response
- Direct and reflected sound paths create wide dispersion angle
- Lightweight and durable plastic shell with an off-white, paintable finish
- Simple, three-step installation process
- No tool(s) installation
- Color-coded mounting studs identify polarity to make the power and audio connections easier (no external wires)
- Front-mounted volume control for easy access
- Transformer-isolated, balanced audio input
- Can be installed in any drop ceiling with standard ceiling tiles
- Surface-mounting design eliminates need to cut ceiling tile, no mess installation
- Contemporary design blends/matches any decor
- O-ring seal holds speaker tight to ceiling surface, eliminating whistling and ensures smoother sound without peaks
- Textured studs easily pierce ceiling tile and secure wire nut connections
- Wide-bottom, easy-to-handle mounting wing nuts provide secure speaker mounting
- All necessary mounting hardware included
- Tile Bridge available for weight distribution (model SMTB, sold separately)
- Complies with NFPA National Code 160b and UL-2043 (Report available)

**BOGEN®**

Specifications subject to change without notice.  
© 2006 Bogen Communications, Inc.  
Part No. 54-8023-37C 0808

**Technical Specifications**

<b>Power Rating (max.):</b>	1W
<b>Frequency Response:</b>	125 Hz – 15 kHz
<b>Sensitivity (min.):</b>	90 dBspl, 125 mV input (1W @ 1M on axis)
<b>Supply Voltage Range:</b>	12 – 30V DC
<b>Typical Current Units:</b>	-1 CU (50 mA)
<b>Idle Current:</b>	5 mA (nominal)
<b>Input Sensitivity:</b>	125 mVrms
<b>Input Impedance:</b>	2k ohms
<b>Dispersion (min.):</b>	120°
<b>Controls:</b>	Volume control
<b>Cone:</b>	4" Speaker cone
<b>Magnet Weight:</b>	6 oz.
<b>Product Weight:</b>	2 lb.
<b>Shipping Weight:</b>	3 lb.
<b>Diameter:</b>	9-1/2"
<b>Height:</b>	3"
<b>Base Diameter (against ceiling):</b>	8-3/4"
<b>Construction:</b>	ABS Plastic
<b>Flame Rating:</b>	94-5VA

**Architect & Engineer Specifications**

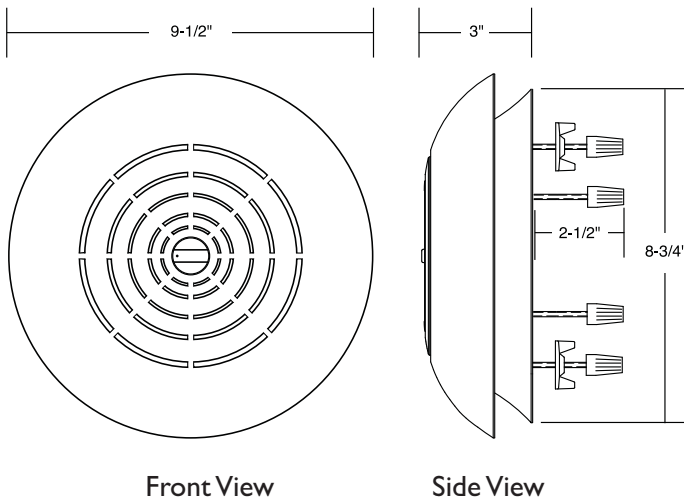
The speaker shall be a Bogen Model ASM1. The speaker shall have a 1-watt amplifier. The typical current consumption shall be 1 CU (50 mA). The frequency response shall be 125 Hz to 15 kHz. Dispersion angle shall be no less than 120°. Sensitivity, measured 1-watt @ 1 meter on axis, shall be a minimum of 90 dBspl. Input sensitivity shall be 125 mVrms. Input impedance shall be 2k ohms.

The speaker shall comply with NFPA National Code 160b that allows speakers to be installed in plenums and other air handling spaces. The speaker shall also comply with UL-2043 (report available).

The speaker shall be of durable ABS plastic construction and shall be mounted using specially designed studs that easily pierce ceiling tiles. The speaker shall have a front-mounted volume control. Custom-designed wing nuts shall be used for securing the

speaker to the ceiling tile. Four standard wire nuts will connect the speaker wires to the studs. One set of studs shall be used to connect 24V (nominal) power, and the other set shall be used to connect an audio signal to the speaker. In each set of studs, color-coding will be used as a means of designating polarity. Copper-plated studs shall be positive (+) and nickel-plated studs shall be negative (-). The speaker shall include a large, rubber O-ring seal to hold the base of the speaker cavity tight to the ceiling tile. A tile bridge support (Model SMTB) shall be available for distributing the weight of the speaker in suspended ceilings.

The unit shall measure 9-1/2" in diameter by 3" in depth. Base diameter against ceiling shall be 8-3/4". Product weight shall be 2 lb.



**BOGEN® COMMUNICATIONS, INC.**

50 Spring Street, Ramsey, NJ 07446  
 Tel. 201-934-8500, Fax: 201-934-9832  
 www.bogen.com