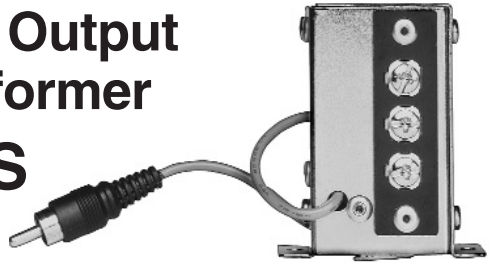




Line Input / Line Output Matching Transformer Model WMT1AS

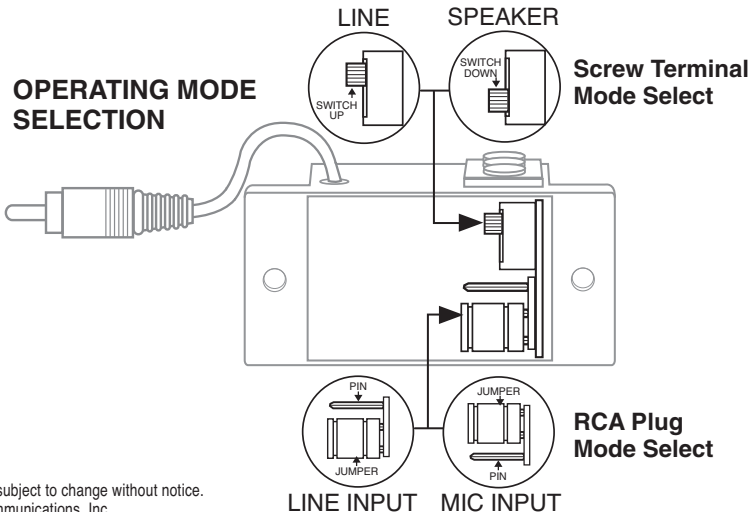


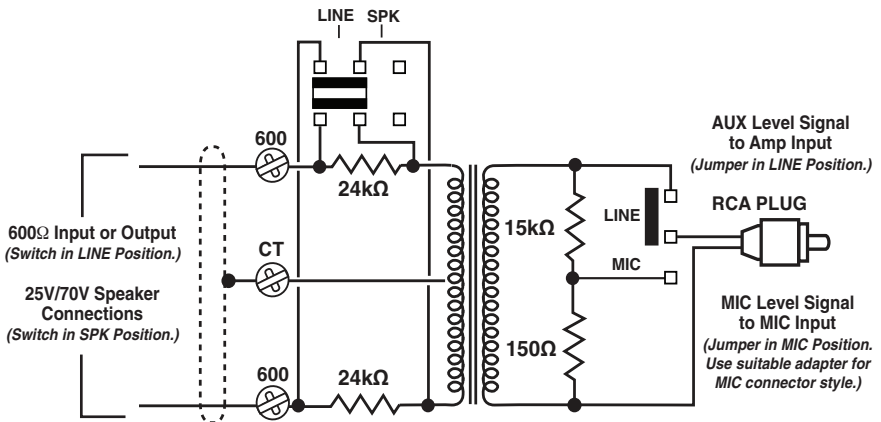
The **WMT1AS** is a balanced and isolated impedance matching transformer with additional features that allow adapting of signal levels between various audio source and input types. Typical uses are to provide a 600-ohm balanced input adapter for unbalanced AUX inputs. WMT1AS can also be used to drive long, balanced, twisted pair cable. This improves noise rejection and the maximum run length. The WMT1AS can adapt speaker level signals (25V/70V systems) to a level suitable for the AUX input of an amplifier, adapt line-level signals down to levels suitable for MIC inputs and can adapt speaker level signals to MIC level as well. See the drawing below for setting the Operating Modes.

APPLICATION	SETTINGS		SCREW TERMINALS	RCA PLUG
	SWITCH	JUMPER		
ADAPT HI-Z AUX INPUT TO 600Ω BALANCED INPUT	LINE	LINE	600Ω BAL INPUT*	TO AUX LEVEL INPUT
ADAPT SPEAKER LEVEL TO HI-Z AUX INPUT	SPK	LINE	TO SPEAKER LINE**	TO AUX LEVEL INPUT
ADAPT LINE LEVEL TO MIC LEVEL INPUT	LINE	MIC	TO LINE LEVEL SOURCE	TO MIC LEVEL INPUT
ADAPT SPEAKER LEVEL TO MIC LEVEL INPUT	SPK	MIC	TO SPEAKER LINE**	TO MIC LEVEL INPUT
DRIVE 600Ω BALANCED LINE	LINE	LINE	TO 600Ω BALANCED LINE	FROM DRIVE SOURCE

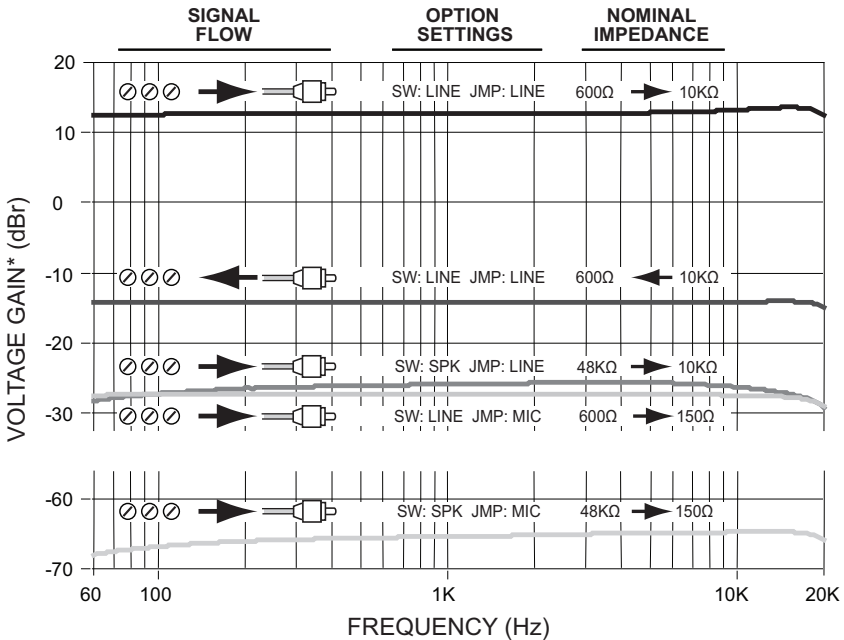
* SHIELD CAN BE CONNECTED TO CENTER TAP, MIDDLE SCREW

**70V OR 25V SPEAKER SYSTEMS





TYPICAL PERFORMANCE



* SOURCE IMP = 40Ω, LOAD IMP = 100KΩ

LIMITED WARRANTY

The WMT1AS is warranted to be free from defects in material or workmanship for two (2) years from the date of sale to the original purchaser. This warranty does not extend to any of our products that have been subjected to abuse, misuse, improper storage, neglect, accident, improper installation or have been modified or repaired or altered in any manner whatsoever, or where the serial number or date code has been removed or defaced.

BOGEN®
COMMUNICATIONS, INC.

50 Spring Street, Ramsey, NJ USA

Tel.: 201-934-8500 • Fax: 201-934-9832 • www.bogen.com