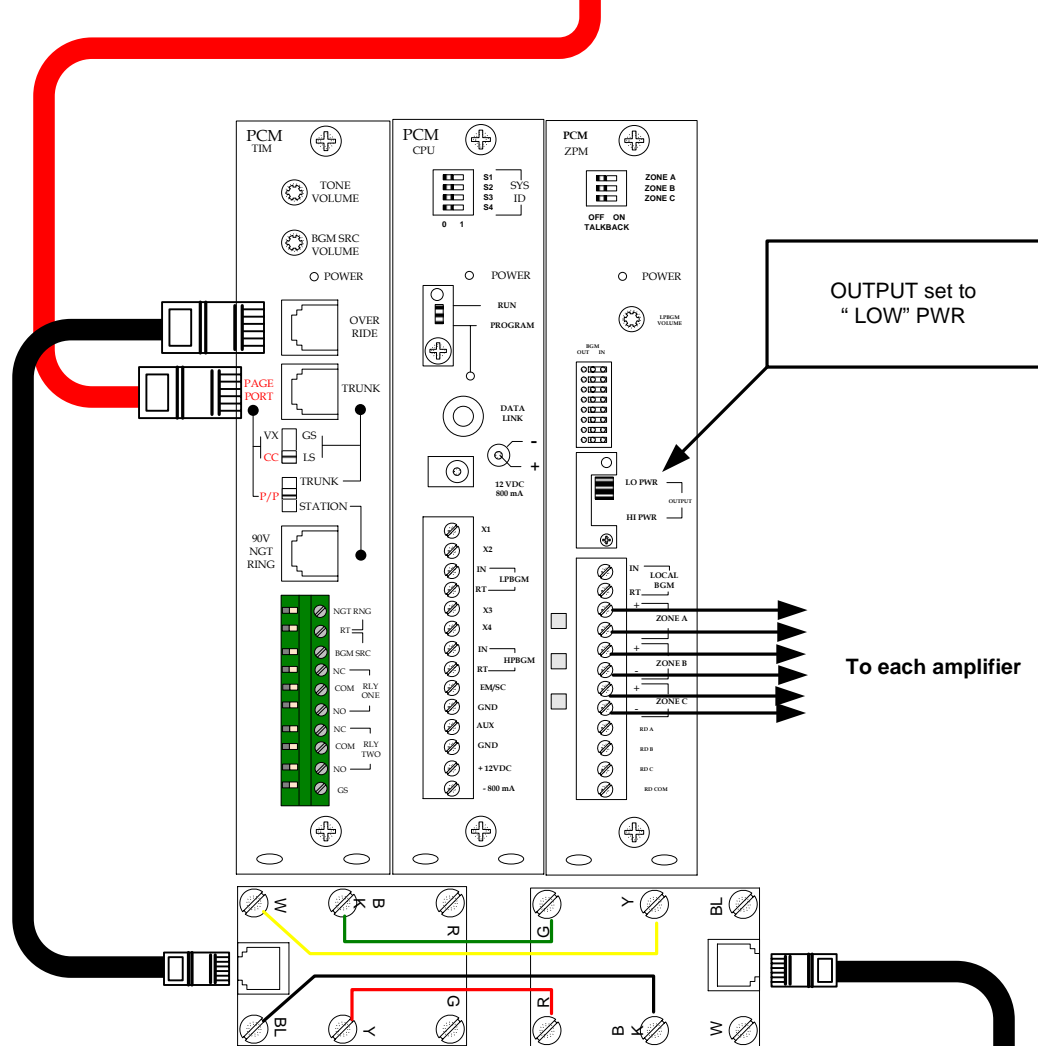
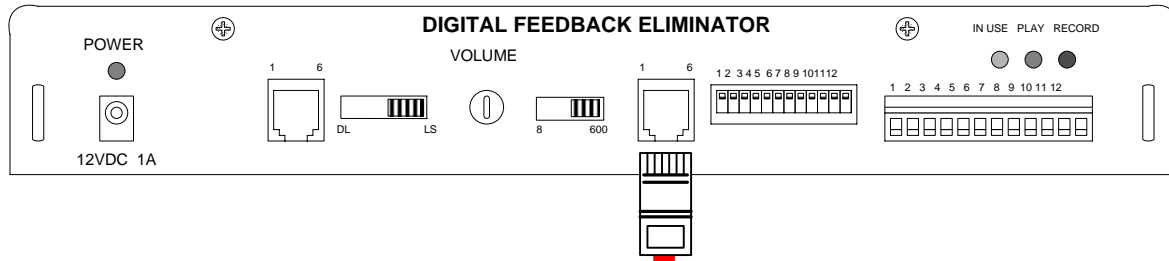


# DFT120 ,New Ver. PCM2000 and BOMDMU (Amp per zone)



( Configuration Dip Switches on front of MDMU set to UP (OFF) position)

