



NQ-EDP01 Nyquist IP Door Phone

Installation and Use Guide

Notice

Every effort was made to ensure that the information in this manual was complete and accurate at the time of printing; however, all information is subject to change.

**This equipment is not suitable for use in locations where children are likely to be present.
Equipment is intended for use only in a restricted access area.**

WARNING: To reduce the risk of fire or electric shock, do not expose this apparatus to rain or moisture.

Avertissement: pour réduire le risque d'incendie ou de choc électrique, ne pas exposer cet appareil sous la pluie et l'humidité.

The apparatus shall not be exposed to dripping or splashing and no objects filled with liquids, such as vases, shall be placed on apparatus.

L'appareil ne doit pas être exposé aux écoulements ou aux éclaboussures et aucun objet ne contenant de liquide, tel qu'un vase, ne doit être placé sur l'objet.

The ventilation should not be impeded by covering the ventilation openings with items, such as newspapers, table-cloths, curtains, etc.

- il convient que l'aération ne soit pas gênée par l'obstruction des ouvertures d'aéra

No naked flame sources, such as lighted candles, should be placed on the apparatus.

- il convient de ne pas placer sur l'appareil de sources de flammes nues, telles que des bougies allumées

The apparatus should be used in moderate climates.

- si l'appareil est destiné à être utilisé sous un climat tempéré.

Important Safety Information

WARNING: To reduce the risk of fire or electric shock, do not expose this apparatus to rain or moisture.

Always comply with the following basic safety precautions when installing and using the unit:

1. Read these instructions.
2. Keep these instructions.
3. Heed all warnings.
4. Follow all instructions.
5. Clean only with dry cloth.
6. DO NOT install near any heat sources such as radiators, heat registers, stoves, or other apparatus (including amplifiers) that produce heat.
7. Only use attachments/accessories that are specified by the manufacturer.
8. Unplug this apparatus during lightning storms or when unused for long periods of time.
9. Refer all servicing to qualified service personnel. Servicing is required when the apparatus has been damaged in any way, such as: the power-supply cord or plug is damaged, liquid has been spilled onto (or objects have fallen into) the apparatus, the apparatus has been exposed to rain or moisture, or the apparatus does not operate normally or has been dropped.

Description

The Nyquist NQ-EDP01 is a convenient, remote, weather-resistant, hands-free, two-way, half-duplex intercom device for use with Bogen Nyquist systems or SIP-compliant third-party VoIP systems. It is designed to operate over a 10/100 Ethernet network, is IEEE 802.3af-compliant, and is powered using Power over Ethernet (PoE).

The unit is 802.3af PoE Class 1 powered and includes adjustable microphone and speaker volume levels. For more information, refer to the Nyquist NQ-EDP01 Configuration Guide.

The Nyquist NQ-EDP01 also has a call button on the front panel to initiate a call to the Nyquist network.

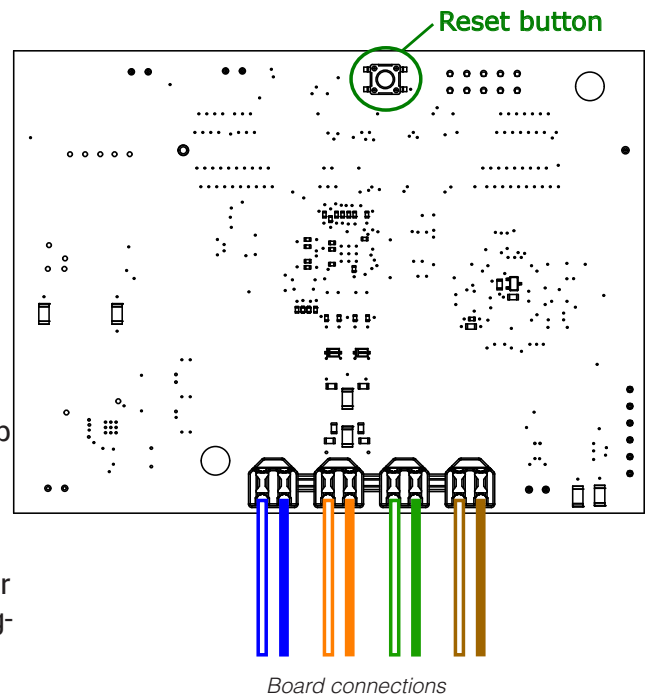
The Nyquist NQ-EDP01 features a heavy-gauge stainless steel gasketed faceplate, plastic cone speaker, and (user-supplied) faceplate-to-electrical-box gasketing to protect against vandals and varying weather conditions. A dress bezel is included with the unit for trimming out rough openings in flush mount applications.

Package Contents

- (1) Nyquist NQ-EDP01
- (4) Hex drive screws
- (1) Hex wrench
- (1) Bezel
- (1) Bezel gasket

Settings

1. **Network Connector:** The Nyquist NQ-EDP01 network connector is a punch-down terminal block. Each of the terminals is labeled as to the Cat 5 wire color for each position. The Cat 5 cable jacket must be removed and the conductors are connected to the punch-down terminal block.
2. **Speaker:** The Nyquist NQ-EDP01 contains a 2.5-inch loud-speaker that provides clear, intelligible audio.
3. **Microphone:** The Nyquist NQ-EDP01 contains a microphone to capture the caller's audio. In certain noisy locations (e.g., background traffic, machinery, or wind), the microphone threshold level may need to be decreased (via the device's web interface), otherwise the unit might detect the background noise as valid audio thereby causing the unit to remain in the talk mode.
4. **Reset Button:** This button reboots the device. If you press it for 10 seconds, the appliance returns to the factory default configuration settings.



Wiring

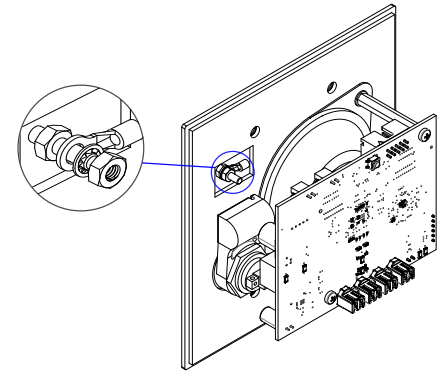
Network Connection

The NQ-EDP01 network connector uses punch-down terminals. Each of the terminals is labeled with the Cat 5 wire color for each position. The Cat 5 cable must be stripped to the conductors and connected to the punch-down terminals. The unit shall be installed in accordance with the National Electrical Code and all applicable local regulations.

The Nyquist NQ-EDP01 is IEEE 802.3af-compliant and is powered using Power over Ethernet (PoE).

Surge Protection

To increase surge protection, connect a protective Earth Ground to the spare lug provided. A ring lug is provided to which the protective ground lead is crimped. Reassemble the lug to post as shown.



Surge protection wiring

Installation

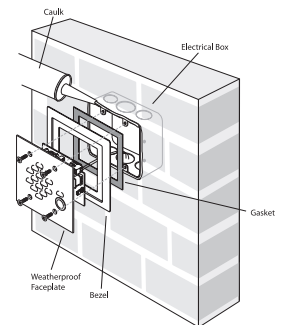
The NQ-EDP01 is designed to fit in most standard dual gang electrical boxes. Make sure to use the proper box type for intended installation (e.g., flush or surface mount, indoor or outdoor location, etc.).

NOTE: A UL/IEC 60950-22 IP54-rated electrical junction box must be used to mount the NQ-EDP01 in an outdoor installation.

Installation should be performed by a qualified professional electrician.

Flush Mounting the NQ-EDP01 (Indoor/Outdoor)

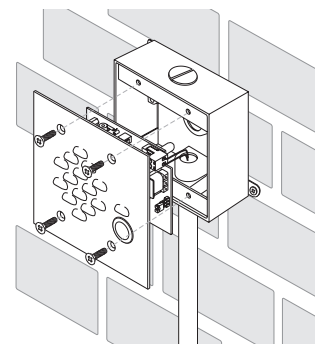
1. Cut rough opening and install appropriate electrical box. *Note: The box must be flush with the surface within 1/16".*
2. For outdoor installations, caulk around the box, filling any gaps between the box and the rough opening.
3. Attach the self-adhesive gasket to the back side of the bezel.
4. Make electrical connections and attach the faceplate to the electrical box while capturing the bezel between the two using the four hex drive screws (tool provided). The faceplate fits into the depression in the bezel.



Flush mounting

Surface Mounting the NQ-EDP01 (Indoor/Outdoor)

1. Mount electrical box.
2. Make electrical connections and attach the faceplate to the electrical box using the four hex drive screws (tool provided). Do not use the bezel for surface mount installations as the elevated sharp corners of the bezel could pose a hazard.



Surface mounting

Specifications

Power:	PoE-powered 802.3af Class 1
Connections:	8-position, 4-pair, punch-down block terminal with insulation displacement connections. 22- to 26-AWG solid conductor wire.
Dimensions:	5" × 5" × 2¼" (W × H × D) (fully assembled) 4-5/8" × 4-5/8" × 2" (W × H × D) (aluminum box)
Product Weight:	4 lb
Max. operating temperature:	35 °C

Compliance

NOTE: This equipment has been tested and found to comply with the limits for a Class A digital device, pursuant to Part 15 of the FCC rules. These limits are designed to provide reasonable protection against harmful interference when the equipment is operated in a commercial environment. This equipment generates, uses, and can radiate radio frequency energy and, if not installed and used in accordance with the instruction manual, may cause harmful interference to radio communications. Operation of this equipment in a residential area is likely to cause harmful interference; in which case, the user will be required to correct the interference at his own expense.

Limited Warranty, Exclusion of Certain Damages

The NQ-EDP01 is warranted to be free from defects in materials and workmanship for five (5) years from the date of sale to the original purchaser. Any part of the product covered by this warranty that, with normal installation and use, becomes defective (as confirmed by Bogen upon inspection) during the warranty period will be repaired or replaced by Bogen, at Bogen's option, with new or refurbished product, provided the product is shipped insured and prepaid to: Bogen Factory Service Department: 4570 Shelby Air Drive, Suite 11, Memphis, TN 38118, USA. Repaired or replacement product(s) will be returned to you freight prepaid. This warranty does not extend to any of our products that have been subjected to abuse, misuse, improper storage, neglect, accident, improper installation or have been modified or repaired or altered in any manner whatsoever, or where the serial number or date code has been removed or defaced.

THE FOREGOING LIMITED WARRANTY IS BOGEN'S SOLE AND EXCLUSIVE WARRANTY AND THE PURCHASER'S SOLE AND EXCLUSIVE REMEDY. BOGEN MAKES NO OTHER WARRANTIES OF ANY KIND, EITHER EXPRESS OR IMPLIED, AND ALL IMPLIED WARRANTIES OF MERCHANTABILITY OR FITNESS FOR A PARTICULAR PURPOSE ARE HEREBY DISCLAIMED AND EXCLUDED TO THE MAXIMUM EXTENT ALLOWABLE BY LAW. Bogen's liability arising out of the manufacture, sale or supplying of products or their use or disposition, whether based upon warranty, contract, tort or otherwise, shall be limited to the price of the product. IN NO EVENT SHALL BOGEN BE LIABLE FOR SPECIAL, INCIDENTAL OR CONSEQUENTIAL DAMAGES (INCLUDING, BUT NOT LIMITED TO, LOSS OF PROFITS, LOSS OF DATA OR LOSS OF USE DAMAGES) ARISING OUT OF THE MANUFACTURE, SALE OR SUPPLYING OF PRODUCTS, EVEN IF BOGEN HAS BEEN ADVISED OF THE POSSIBILITY OF SUCH DAMAGES OR LOSSES. Some States do not allow the exclusion or limitation of incidental or consequential damages, so the above limitation or exclusion may not apply to you. This warranty gives you specific legal rights, and you may also have other rights which vary from State to State.

Products that are out of warranty will also be repaired by Bogen Factory Service Department – same address as above or call 201-934-8500, at owner's expense. Returned products which do not qualify for warranty service, may be repaired or replaced at Bogen's option with a previously repaired or refurbished items. The parts and labor involved in these repairs are warranted for 90 days when repaired by the Bogen Factory Service Department. All parts and labor charges as well as shipping charges will be at the owner's expense.

All returns require a Return Authorization number. For most efficient warranty or repair service, please include a description of the failure.