



## CALL SWITCHES

## Models CA10A & CA11A

### CA10A Call Switch

Model CA10A is a 2-position room switch designed for use with SBA-Series room selector panels. When the switch is pressed, the annunciator lamp on the SBA-Series switchbank illuminates, designating the calling station. When the switch is released, the lamp remains illuminated until the call is answered.

The switch is designed for flush mounting in a standard single-gang outlet box. Refer to Figure 1 below and wire the switch as follows:

1. Connect the unshielded wire from the corresponding annunciator terminal on the room selector panel to the red wire of the CA10A switch.
2. Connect the black wire to the speaker ground (shield of speaker line).

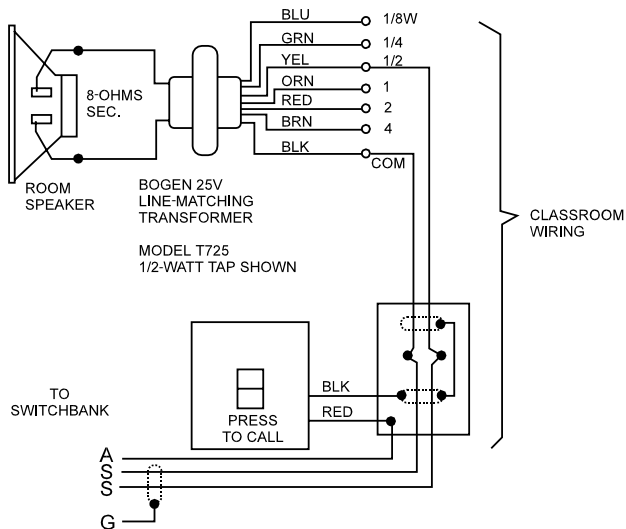


Figure 1 - Model CA10A Connecting Diagram

### CA11A Call Switch

Model CA11A is a 3-position switch providing annunciator call and privacy control. The switch has two fixed positions, TALK and PRIVACY. In the TALK position, the remote station has normal, non-private operation. In the PRIVACY position, the remote station cannot be monitored from the main console.

The CA11A also has a momentary PRESS TO CALL position. When the switch is pressed, the annunciator lamp on the SBA-Series room selector panel illuminates, designating the calling station. When the switch is released, the lamp remains illuminated until the call is answered.

The switch is designed for flush mounting in a standard single-gang outlet box. Refer to Figure 2 below and wire the switch as follows:

1. Connect the unshielded wire from the corresponding annunciator terminal on the room selector panel to the red wire of the CA11A switch.
2. Connect the white wire to the center tap of the room speaker line-matching transformer. This connection may be made via the speaker cable shield, as shown in Figure 2.
3. Connect the black wire to the audio system ground at the shield of the audio cable from the console, as shown in Figure 2.

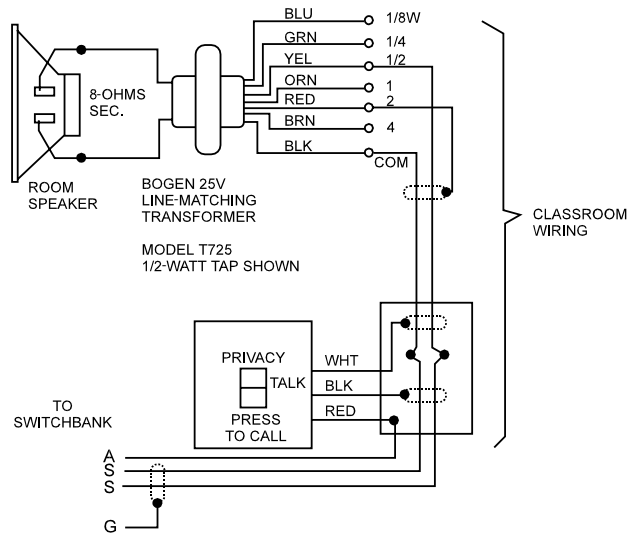


Figure 2 - Model CA11A Connecting Diagram